

Sofabed.co.uk

**SOFABED ASSEMBLY INSTRUCTIONS**

## STEP 1

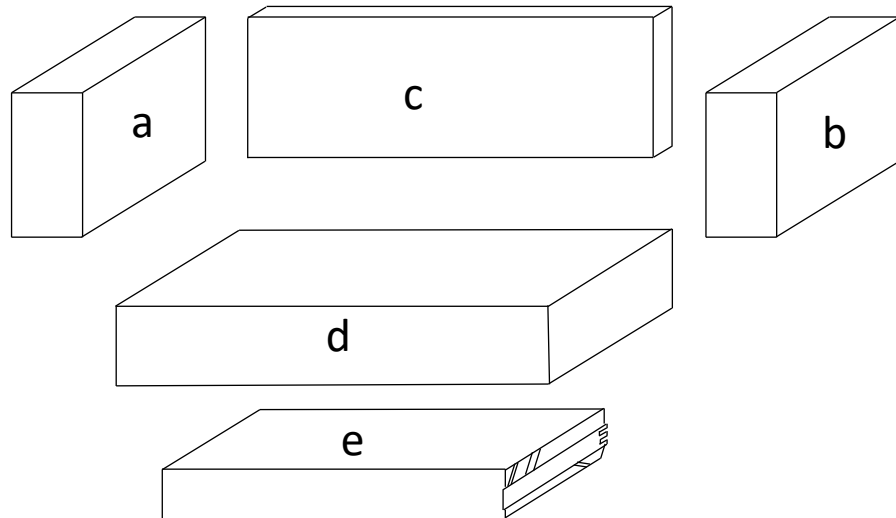
1.1 Your sofa bed will be delivered in 5 sections (plus loose seat cushions)

- a) Left Arm (as you look at the sofa bed)
- b) Right Arm (as you look at the sofa bed)
- c) Rear Panel
- d) Bottom Section
- e) Sofa bed action

1.2 Place all the items in your room of choice and remove all packaging

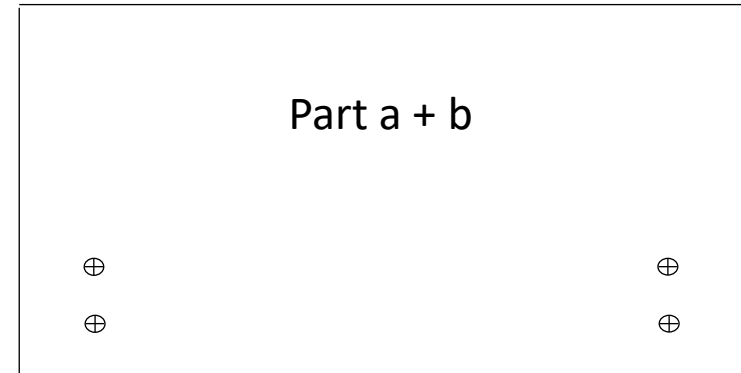
1.3 Before starting assembly check that all parts are in good condition

1.4 You will need a large Phillips screwdriver and adjustable spanner to assemble the sofa bed. Some parts are heavy. This assembly requires 2 people



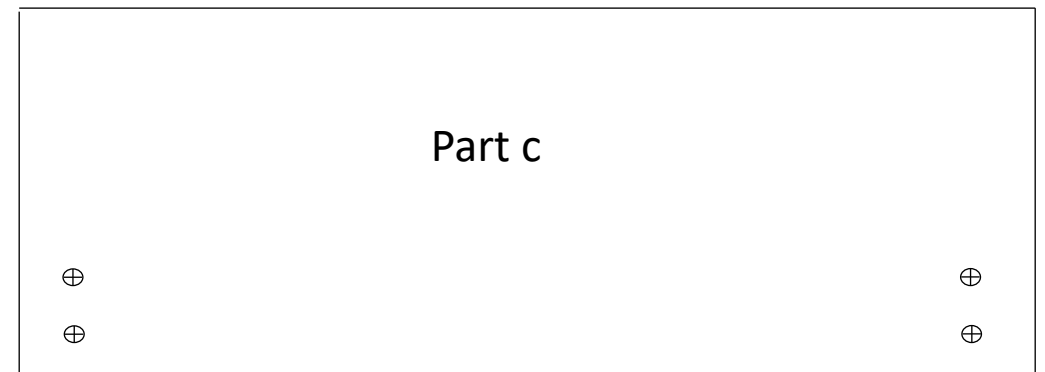
## STEP 2

- 2.1 The sofa bed is supplied with 4 bolts in the left arm and 4 bolts in the right arm
- 2.2 Remove these bolts with a screwdriver and place in a safe place



## STEP 3

- 3.1 The sofa bed is supplied with 4 bolts in the rear panel
- 3.2 Remove these bolts with a screwdriver and place in a safe place

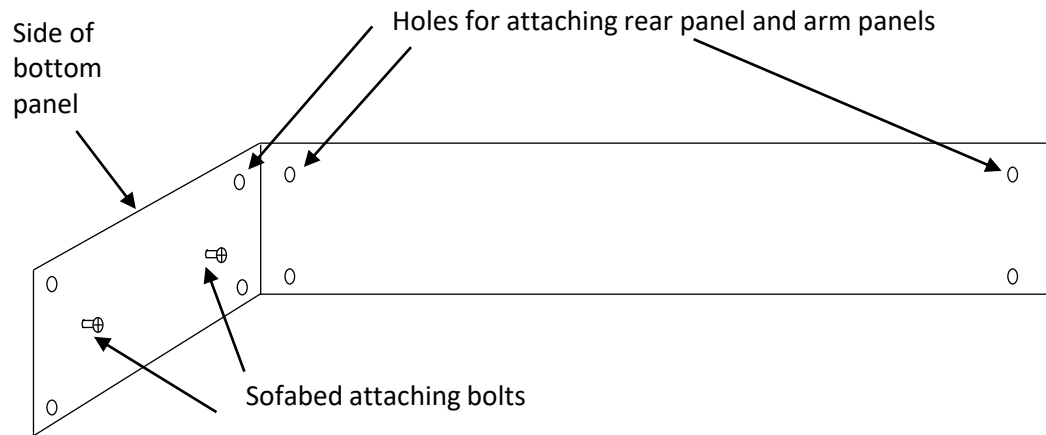


## STEP 4

4.1 The sofabed base is supplied with 2 attaching bolts in each end. Do not remove these bolts they are for attaching the sofabed.

4.2 You will note that there are 4 holes in the rear and 4 holes on each side that align with the holes on the arms and rear panels

Drawing shows inside of the Bottom Section(d)

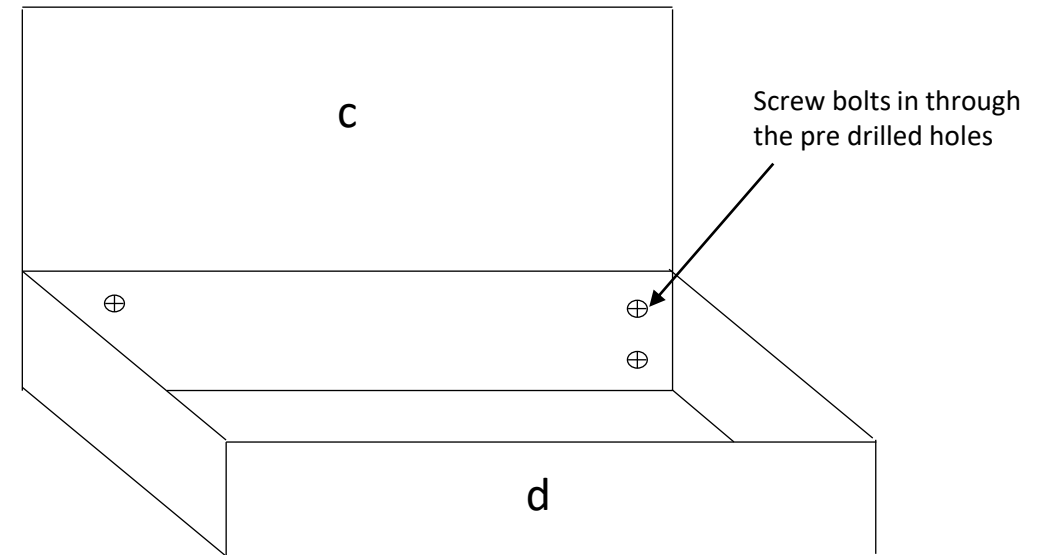


## STEP 5

5.1 Place part c (the rear of the sofabed) on the floor face up

5.2 Place part d (the bottom of the sofabed) atop this so the screw holes align

5.3 Attach the two parts using the bolts that were previously removed. Finger tighten until all bolts are in place then tighten with a screwdriver

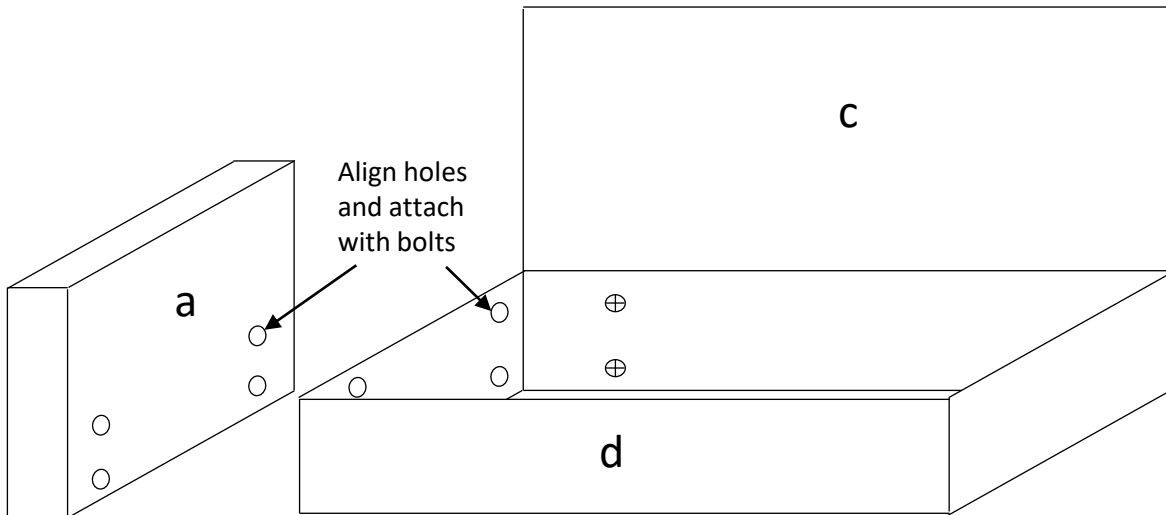


## STEP 6

6.1 Keep the back of the sofabed flat to the ground. Align the left hand arm (part a) so that the holes in the base align with those in the arm

6.2 Attach the arm using the bolts that were removed in step 2

6.3 Repeat this process for the right hand arm (part b)



## STEP 7

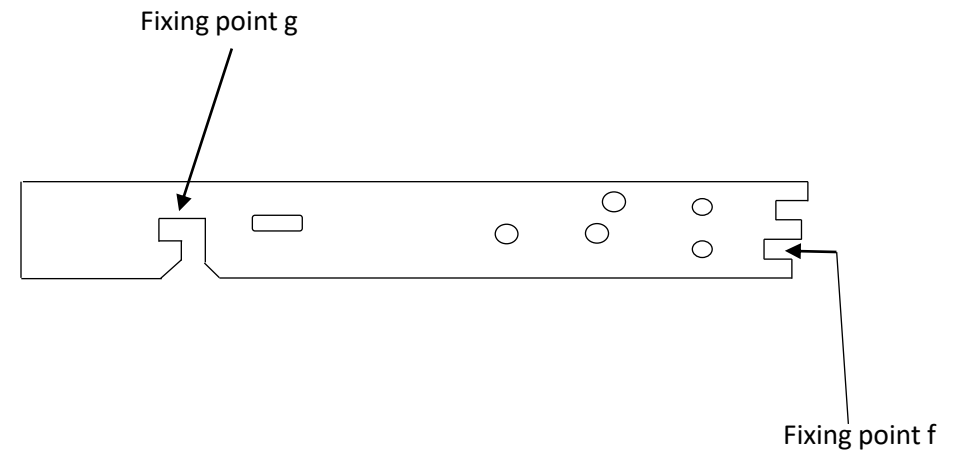
7.1 The next step is to fit the sofabed action which is completed from the bottom of the sofabed

7.2 The sofabed action is supplied "tied up" with yellow wire. Do not remove this wire until the action has been fitted

7.3 The sofabed action has a small silver handle and some labels on the bar. This is the top of the sofabed action

7.4 Leave the sofabed resting on its back and approach the sofabed from underneath. The action will be fitted through the bottom of the sofabed

7.5 The end of the sofabed action has a metal bar on each end as shown below. This has 2 fixing points "f" and "g"



## STEP 8

8.1 Take the sofabed action and push through the underside of the sofabed so that it goes past the fixing bolts (Drawing 1)

8.2 Align Fixing point f on the bar on the end of the sofabed action to fixing point 1 in the base on both sides (Drawing 2)

8.2 Rock the sofabed action so that Fixing Point 2 on the base on the base slots into fixing point g (Drawing 2)

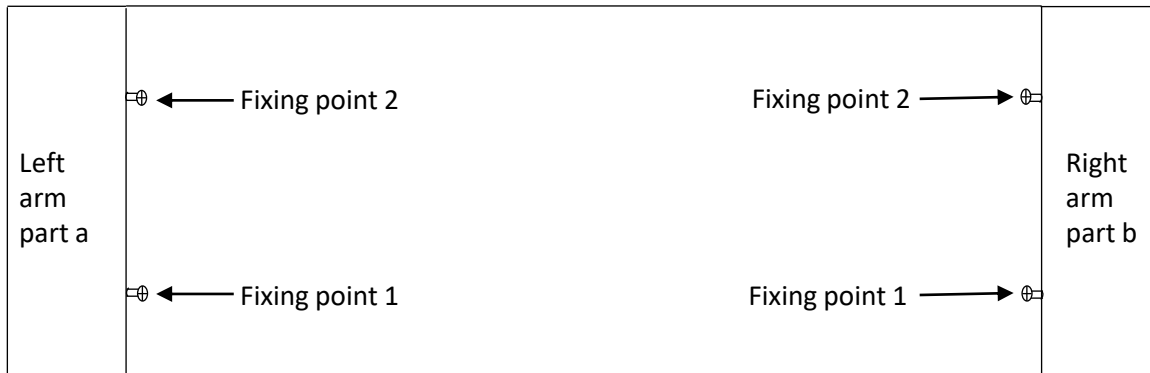
8.3 Untie the yellow wire keeping the sofabed action together. Please note that the sofabed action may spring open

8.4 Tighten the 4 fixing bolts

8.5 Stand the sofabed on its feet

8.6 The sofabed is ready to use. Please consult the sofabed usage instruction for how to use the sofabed

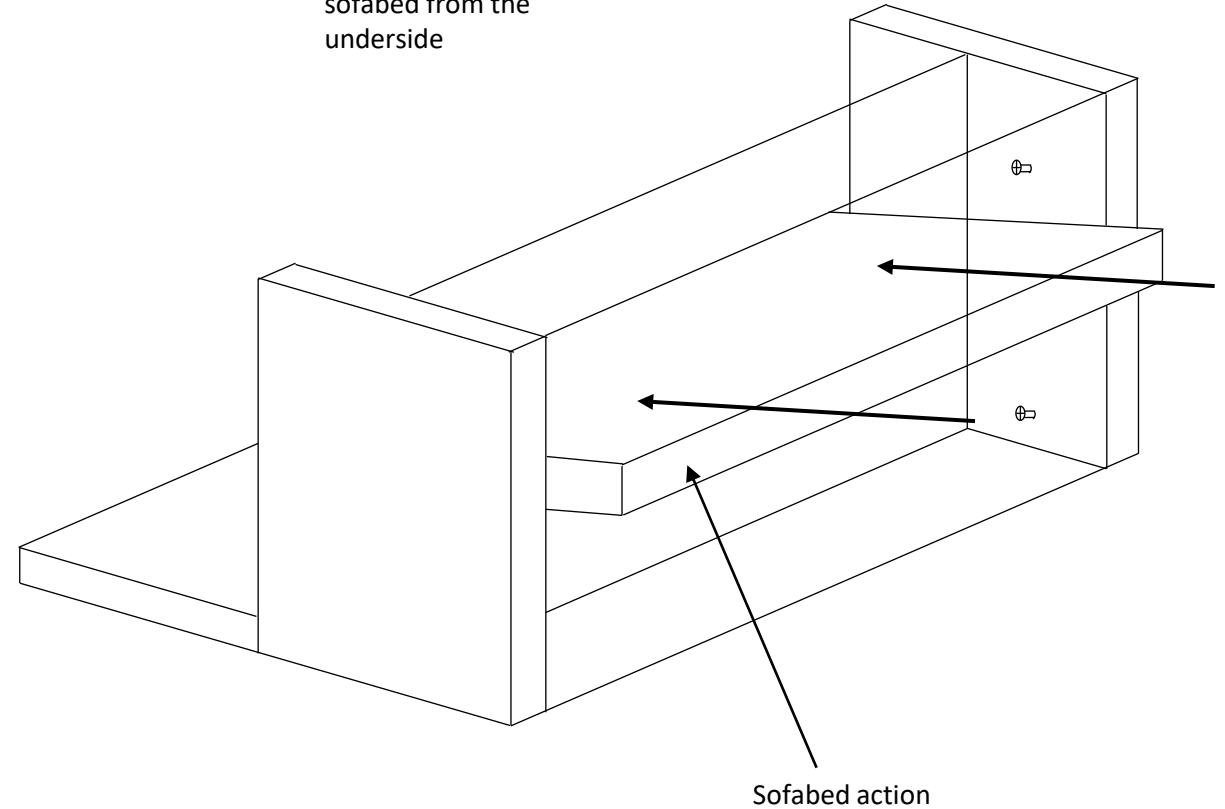
<https://sofabed.co.uk/Sofabed-How-It-Works.pdf>



View from underneath of the sofabed lying on its back

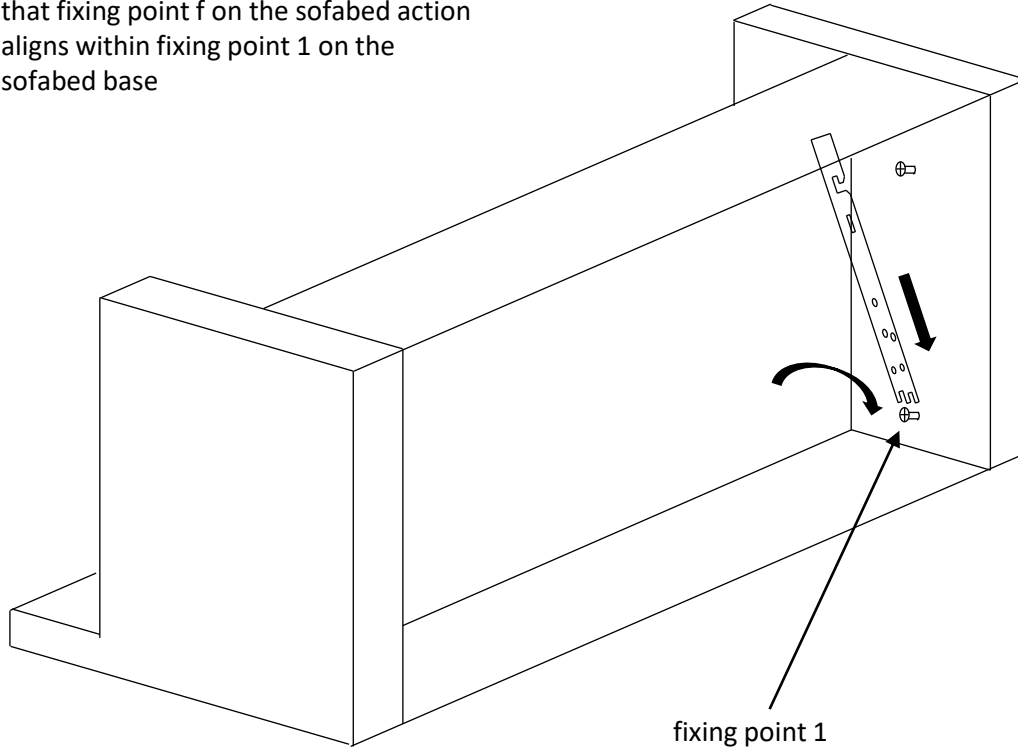
Drawing 1

Push the sofabed action through the base of the sofabed from the underside



### Drawing 2

Align the sofabed action onto fixing point 1, by moving it downwards so that fixing point f on the sofabed action aligns within fixing point 1 on the sofabed base



### Drawing 3

Rock the sofabed action back until the bolt in the arm aligns with the cut out in the sofabed action (fixing point g)

